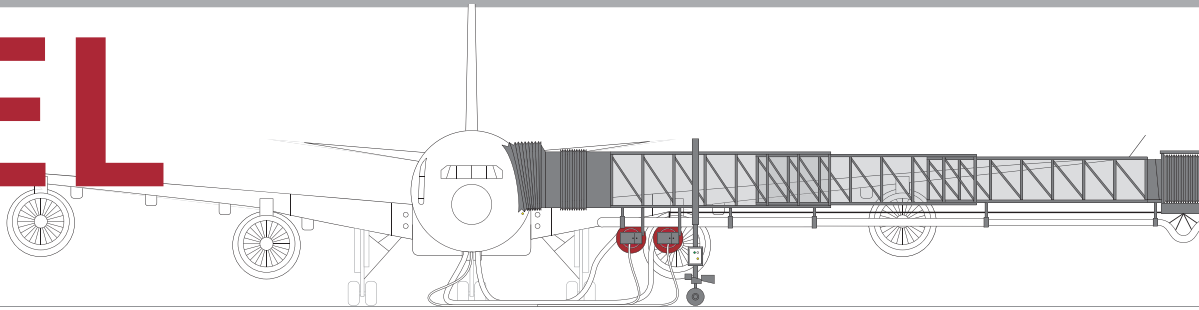


# STAINLESS STEEL HOSE REEL



## AGES - Hose Reel

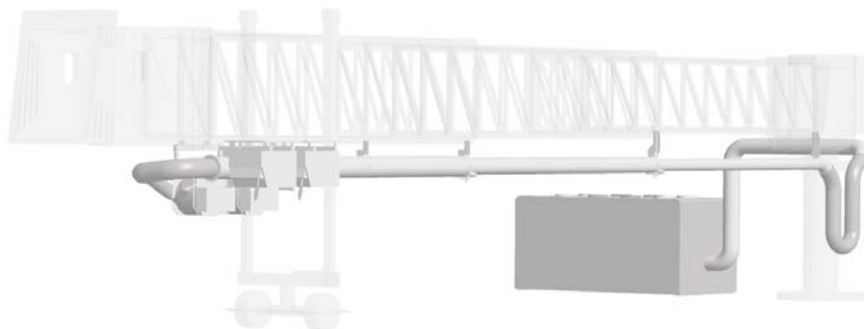
The IST provided hose reel replaces the manual winding and unwinding of the PCA hoses. Due to the easy handling and a freely programmable control capability, the operator can adapt the operation of the reel to meet his own needs. The stainless steel hose reel ensures very stable, durable and virtually maintenance free operation.

Ensuring the highest quality in all aspects, the IST hose reel has been developed in cooperation with former Swissair engineers, according to the specifications of the Airports. The initially patented reel is the only PCA hose reel worldwide with a life cycle of more than 20 years. The first hose reels have been installed at Airport Zurich in the year 2000 and have never had any maintenance work or replacements of spare parts.

Through the use of a remote control device located at the connection to the aircraft, the reel can be operated easily and safely by one person, thus minimizing wear to the air hose and the aircraft coupling. A Siemens provided control allows the operator to program in line with his individual needs. The axially arranged rotary seal at the hose reel permits the air to flow to the aircraft with a minimum of pressure loss. The use of high quality materials ensures minimal maintenance costs and guarantees optimal function.

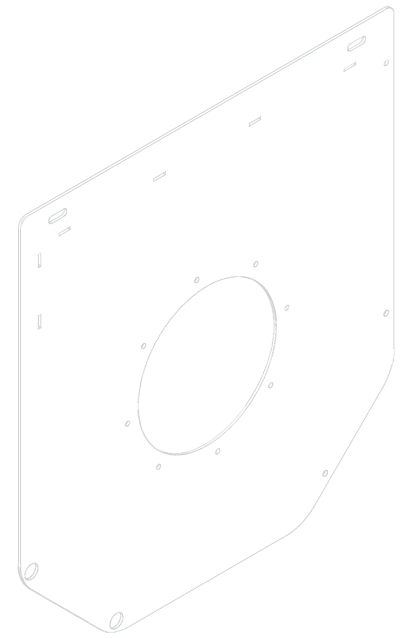


By combining other PCA equipment provided by IST, we guarantee the highest quality with lowest temperature and pressure losses and the best performance in the market with an availability of the complete PCA system of 99.96% proved by the Airports.



### Technical Specification:

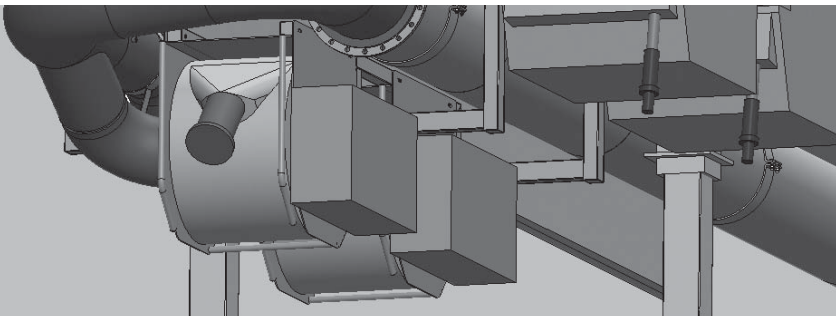
- Electrically powered hose reel completely in stainless steel 1.4301 (AISI 304 L), available in 1.4404 (AISI 316 L) upon request
- Single-hose-reel for aircrafts cat. C
- Double-hose-reel system for aircrafts cat. E
- Dimensions L/W/H: 1050/1150/1100 mm; weight approx. 400 kg
- Electric drive 1.1 kW, 230/400V, 50 Hz, IP55
- Freely programmable Siemens control
- Frequency convertor for the setting of roll up and discharge speeds
- Easy to use with remote control 870.00 or 433.00 MHz
- High-quality 14" hose with only 28 kg at 24 meters
- TÜV Hessen certified



We offer you a 10 year guarantee with a concluded service contract\*

**+** SWISS MADE

As a Swiss producer, the company has committed itself to the "Swiss Quality" standard of excellence. In order to ensure that Swiss standards of quality are met in every sense, IST's products are exclusively produced by its qualified staff at its location in Switzerland.



### Why stainless steel?

#### Quality

Stainless steel components are easy to clean, virtually maintenance free and durable.

#### Safety

Stainless steel is strong, corrosion resistant, wear resistant and resilient.

#### Design

Stainless steel is aesthetically pleasing.

#### Environment

Stainless steel has better energy and resource-use balance and is 100% recyclable.

#### Cost

Technically and economically, stainless steel is the best solution.

\*(excluding wear parts)



IST-Edelstahl-Anlagenbau AG  
Schorenstrasse 54  
CH-3645 Thun-Gwatt  
Switzerland  
Tel.: +41 (0)33 334 26 00  
Fax: +41 (0)33 336 72 66  
E-Mail: [ist@istinox.ch](mailto:ist@istinox.ch)

Visit our website at  
[www.istinox.ch](http://www.istinox.ch)



## Certificates

